

Series 1324 - 12" High Utility Box

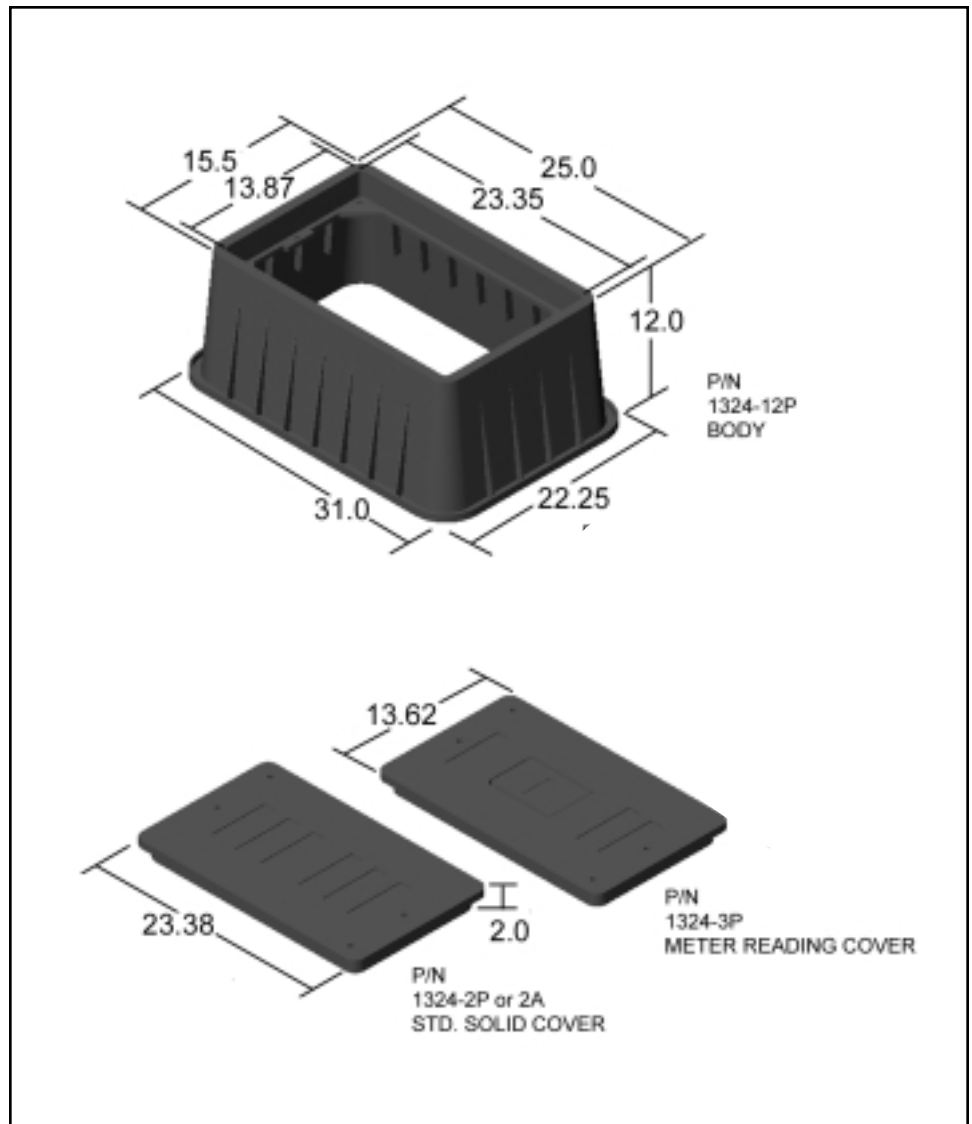
PRODUCT FEATURES

- Available with centerline or diagonal bolt pattern.
- Lightweight.
- High top-load strength.
- Reduced side draft easier to adjust to grade.
- Nestable for storage or shipping.
- U.V. stable for longer life.
- Stainless steel hardware hex head or penta head bolt.

STOCK COVER IDENTIFICATIONS

- Irrigation control valve (ICV)
- Water (solid or meter door)
- Electric (green or gray)
- Reclaimed water (green or lavender)
- Blank (no cover marking)
- Sewer
- RCV
- CATV
- Telephone
- Street lighting

When ordering, please specify color, cover identification, and bolt down type. For use in non-vehicle traffic areas. Not recommended for installation in concrete or asphalt without felt expansion joint.



12" UTILITY BOX • 16 per pallet

Catalog Number	Description	Weight
1324-12P2P	12" Body, with Poly Cover	22.8 Lbs.
1324-12P2A	12" Body, with ABS Cover	24.7 Lbs.
1324-12P3P	12" Body, with Poly Meter Reader Cover	22.8 Lbs.
1324-12P	12" Body	16.7 Lbs.
1324-2P	Poly Cover	6.1 Lbs.
1324-2A	ABS Cover	6.4 Lbs.
1324-3P	Meter Reading Cover	6.1 Lbs.