

# Series 1015 - 6" High Box

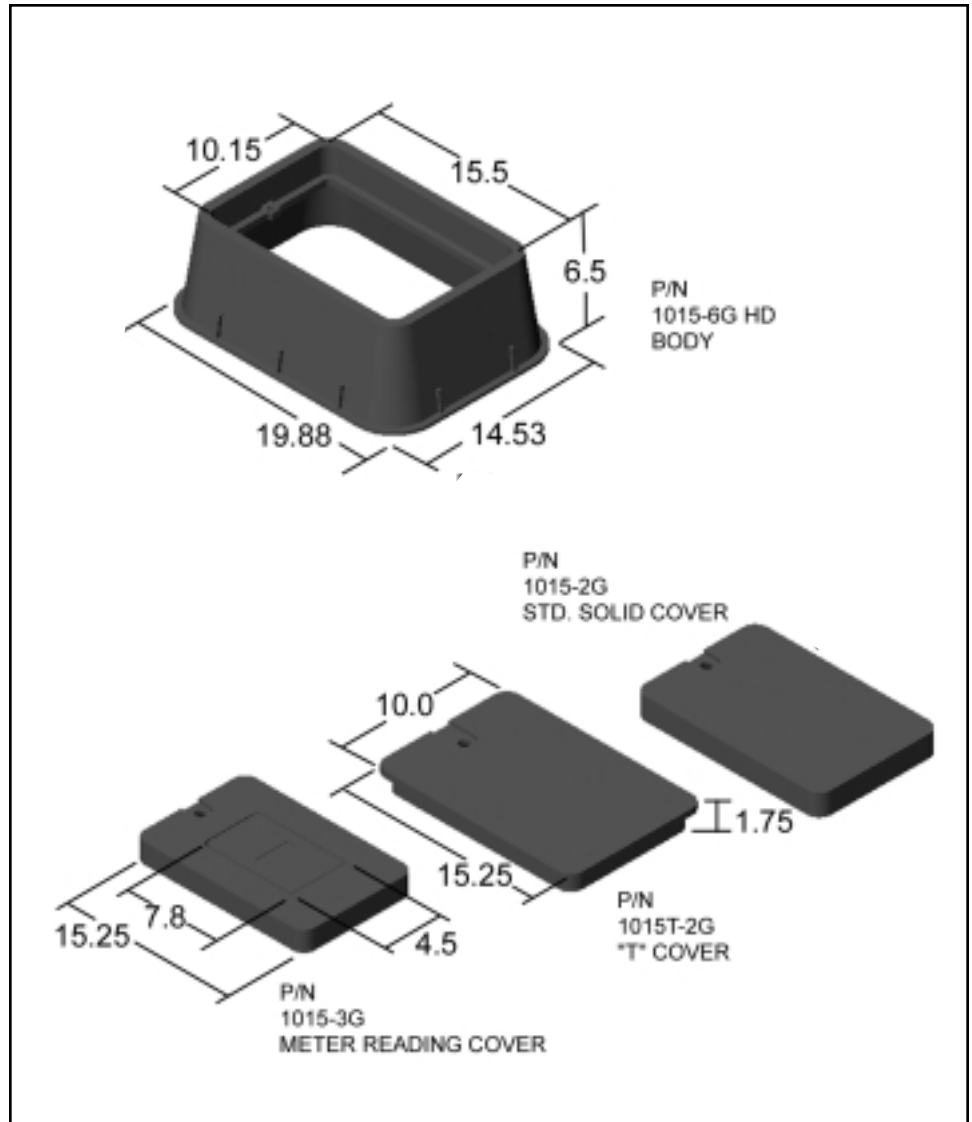
## PRODUCT FEATURES

- For use with shallow pipe installation.
- Lightweight.
- U.V. stable.
- Nestable for storage or shipping.
- High top-load strength.
- Stainless steel hardware hex head or penta head bolt.
- Available in four standard colors: green, gray, black, or lavender.

## STOCK COVER IDENTIFICATIONS

- Irrigation control valve (ICV)
- Water (solid or meter door)
- Electric (green or gray)
- Reclaimed water (green or lavender)
- Blank (no cover marking)
- Sewer
- CATV
- Telephone
- Street lighting

When ordering, please specify color, cover identification, and bolt down type. For use in non-vehicle traffic areas. Not recommended for installation in concrete or asphalt without felt expansion joint.



6" RECTANGULAR • 60 per pallet

Catalog Number	Description	Color	Weight
1015-6G2G	6" Body & Solid Cover	Green Body with Green Cover	6.0 Lbs.
1015-6G	6" Body Only	Green	4.0 Lbs.
1015-2G	Solid Cover Only	Green	2.0 Lbs.
1015T-2G	Solid T Cover	Green	2.25 Lbs.