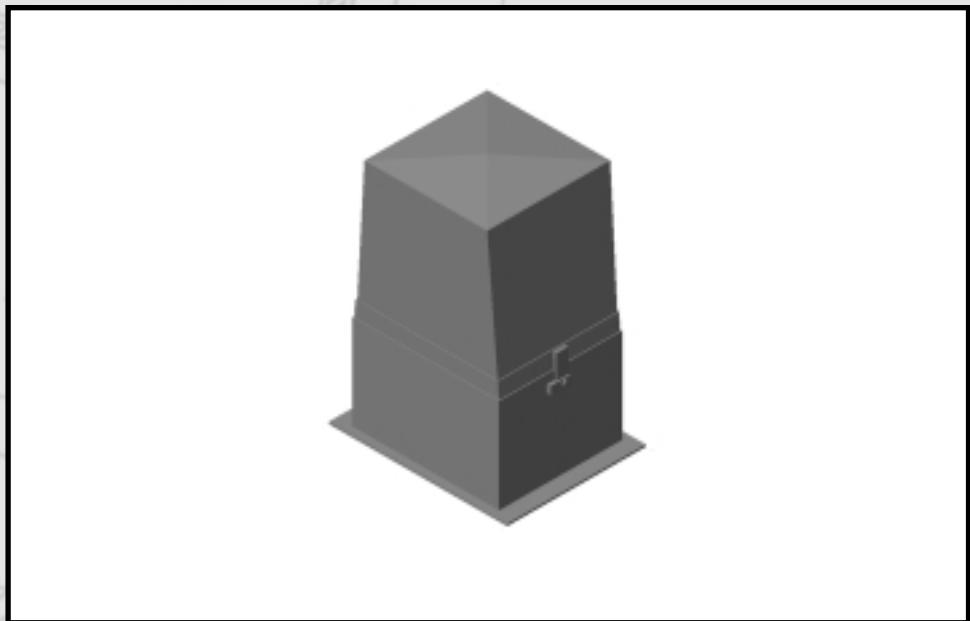


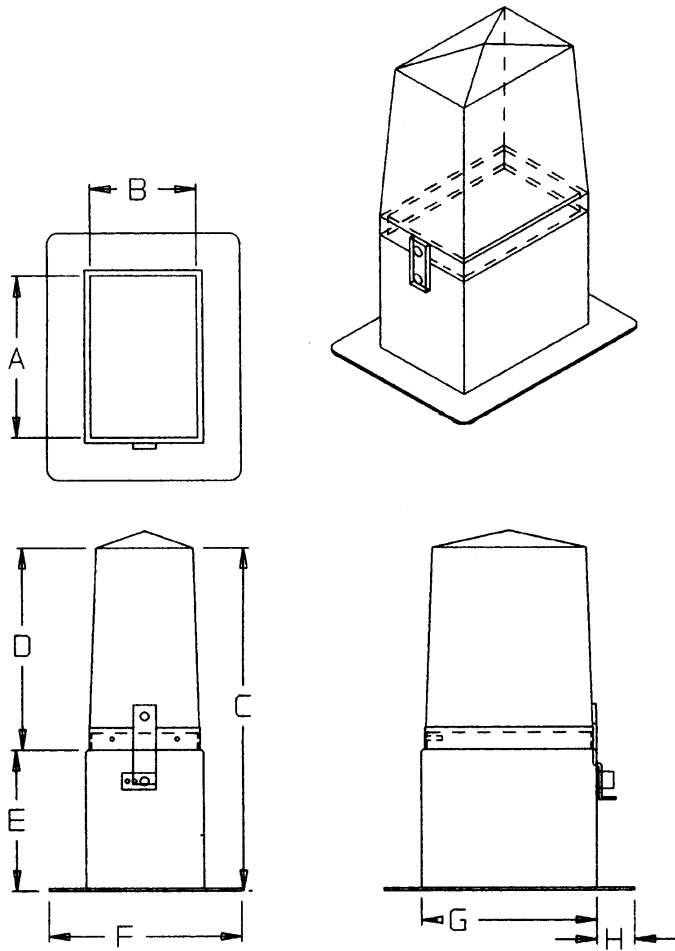
Secondary Pedestals

PRODUCT FEATURES

- Constructed of fire-retardant materials.
- Heavy-duty reinforced fiberglass construction, stress areas strengthened with nonhygroscopic laminated reinforcing materials.
- Brass and stainless steel locking hardware.
- Gel-coated exterior for superior protection against UV radiation and corrosion resistance.
- Smooth exterior surface.
- Exterior color: Munsell #7GY3.29/1.5 Green.
- Peaked roof for water run-off and vandal resistance.
- Optional locking service entrances available, 2" diameter is standard.



	A	B	C	D	E	F	G	H
Model Number:	Length	Width	Height					
FSP 06-06-31 AA	6	6	31	19	12	9	9	2
FSP 09-09-31 AA	10	8 3/4	31	19 1/2	11 1/2	14	16	2 1/4
FSP 12-06-79-3T	12	6	79	35	44	19	6	8
FSP 14-09-31 AA	14	9	31	19	12	16	11	2
FSP 14-09-36 AA	14	9	36	19	18	16	11	2
FSP 15-15-30 AA	15 1/2	15 1/2	30	18	12	17 1/2	17 1/2	2 1/2
FSP 15-15-36 AA	15 1/2	15 1/2	36	18	18	18	18	2 1/2



See HL-PED 1812 for larger size.