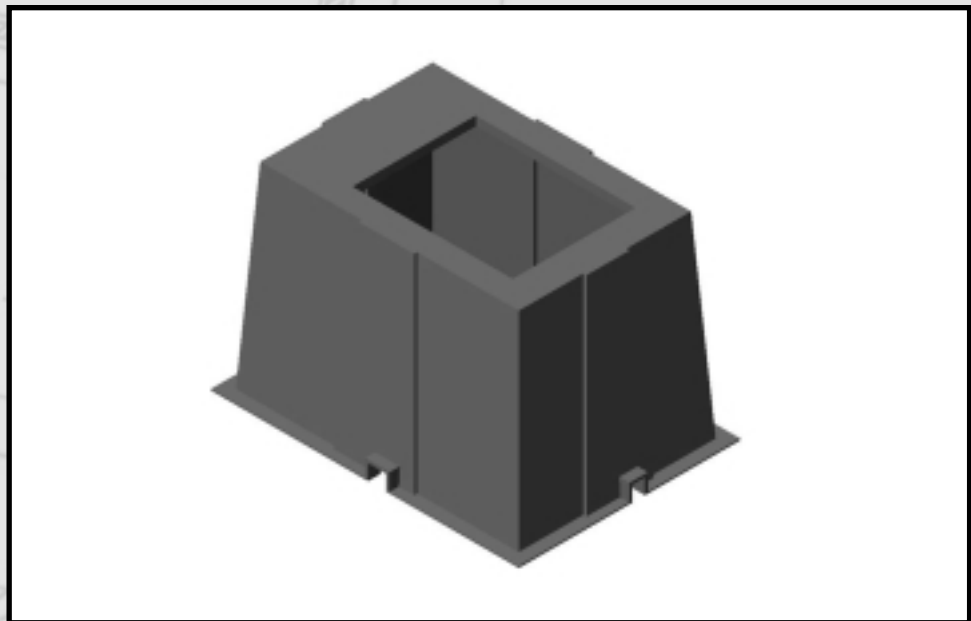


Box Pads For Transformers

PRODUCT FEATURES

- Constructed of fire-retardant materials. Combination of chopped glass spray-up and hand lay-up of woven roving glass reinforcement.
- External ribs are molded into all sides for greater side-wall and vertical strength.
- Exterior color: Munsell #7GY3.29/1.5 Green.
- Heavy-duty reinforced fiberglass construction, stress areas strengthened with nonhydroscopic laminated reinforcing materials.
- Smooth exterior surface for tamper resistance.
- 6" cable entrances available.
- Gel-coated exterior for superior protection against UV radiation and corrosion resistance.

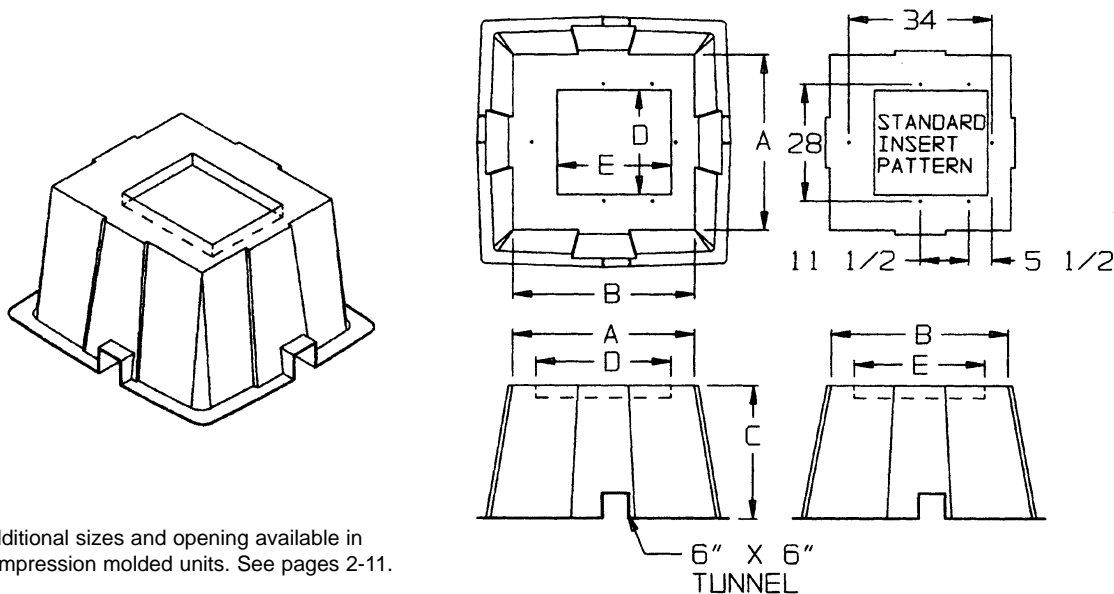


(24" to 48" FBP Series)

	A	B	C	D x E = TOP
Model Number:	Length	Width	Height	Openings
FBP 36-36-24 KK	36	36	24	25 x 25
FBP 36-36-24 MD	36	36	24	26 x 12
FBP 37-43-24 BG*	37	43	24	12 x 21
FBP 37-43-24 BN*	37	43	24	14 x 24
FBP 37-43-24 HH*	37	43	24	20 x 20
FBP 37-43-24 IK*	37	43	24	22 x 24
FBP 37-43-24 IKT*	37	43	24	22 x 24
FBP 37-43-24 MO*	37	43	24	26 x 32
FBP 45-28-24 AG	45	28	24	9 x 12
FBP 36-36-32 KK	36	36	32	25 x 25
FBP 37-37-32 JJ	37	37	32	22 x 22
FBP 37-43-32 HH*	37	43	32	20 x 20
FBP 37-43-32 IKT*	37	43	32	22 x 24
FBP 37-43-32 KA*	37	43	32	24 x 28
FBP 37-43-32 MO*	37	43	32	26 x 32
FBP 38-43-32 IKT	38	43	32	22 x 24
FBP 38-43-32 MO	38	43	32	26 x 32
FBP 42-43-32 HM	42	43	32	22 x 20
FBP 42-43-32 IH	42	43	32	22 x 15
FBP 42-48-32 BN	42	48	32	14 x 24
FBP 42-48-32 MD	42	48	32	26 x 12
HL-4532	43	37 1/2	32	32 x 26
HL-4532A	43	37 1/2	32	20 x 20
HL-4832	47 1/2	37 1/2	32	32 x 26
HL-4842	48	42	32	26 x 12
FBP 37-43-42 NEPS	37	43	42	26 x 32
FBP 48-48-48 BN	48	48	48	14 x 24

Cable entry holes with tunnels are standard on the 24" and 32" high box pads.

*Comes with standard insert pattern with 3/8-16 UNC stainless steel inserts. Other units can be drilled and inserted upon request. A special suffix can be added to end of part number to comply with special customer specifications. Other sizes available, please consult factory.



Additional sizes and opening available in compression molded units. See pages 2-11.