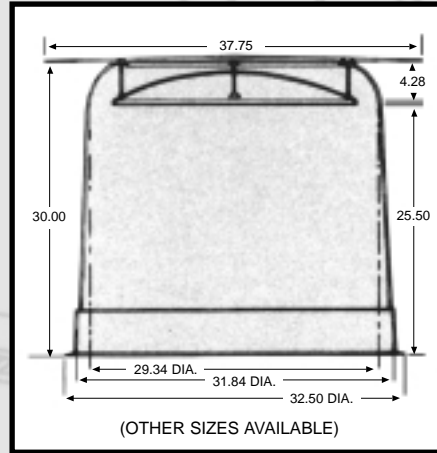


Baffles and Brackets

HL-14 Fiberglass Transformer Chimney Baffles

Highline chimney-baffles are designed for use with any conventional 36" or 42" concrete or bituminized fiber vault. The chimney-baffles are tamper resistant and provide a safe and efficient means of cooling the transformer. Hanger brackets for all types of vault installations are available.

The Highline chimney-baffle offers many advantages over polyethylene units because of our compression molding process.



HL-35 Underground Cable Support Brackets

These brackets are designed as load supporting brackets for use in vaults, manholes, etc. They are compression molded of non-flammable fiberglass polyester and are non-conductive, rot and corrosion proof. The saddle holds a 450 pound load distributed over the length. All edges are rounded to prevent abrasion on the cable jacket.

