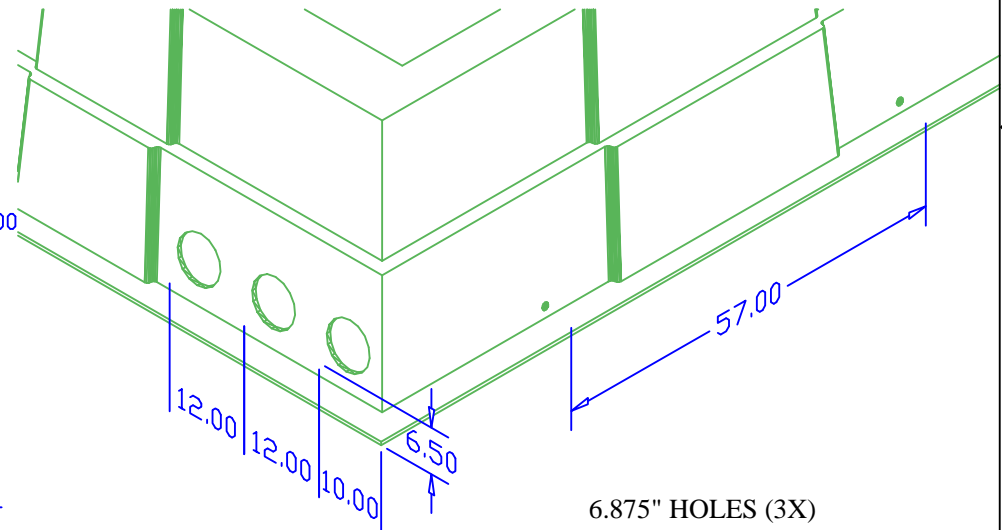
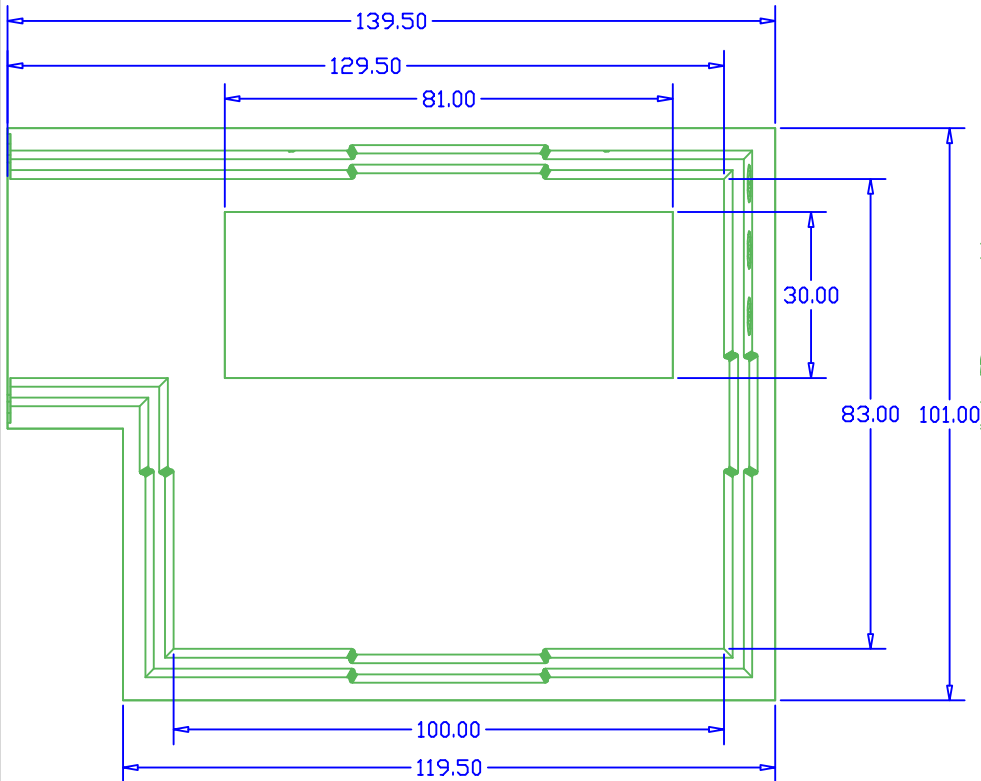
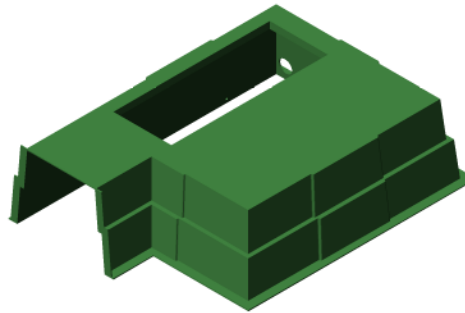


REVISIONS			
REV	DESCRIPTION	DATE	APPROVED



6.875" HOLES (3X)
 1.000" HOLES (2X) 2" UP
 TUNNEL RADIUS MATCH 17" DIA TOWER

DIM +/- 1/4"

The information contained in this drawing is the sole property of Highline Products. Any reproduction in part or whole without the written permission of Highline Products is prohibited

FSG1008336XJRTXC

L BEECHER 04/28/2008 NOTE:25126 1.75

